

Expander Laser, red, 650 nm, 8 mW

E650-8-3-20(24x96)
Order Number: 70102512

Main Parameters (*)	min	typ	max	Unit
Wavelength		650		nm
Optical Output Power		8		mW
Operating Voltage	2.7	3	3.3	V DC
Operating Current	35	65	100	mA
Operating Temperature	-20		50	°C
Storage Temperature	-40		80	°C

Main Data

Warranty 1 years

Technical Parameters

Lifetime > 5,000 h
RoHS yes

Optical Parameters

Beam Shape	expander
Laser Class	3B
Operating Distance	80 m
Optics	glass lens AR coated
Laser technology	diode
Focus	adjustable

Electrical Parameters

Potential of Housing isolated
Power Supply LFNT-3

Mechanical Parameters

Size	Ø24x96 mm
Material	aluminium
Cable length	100 mm
Wire type	26AWG, 0,14mm ²
Output Aperture	20 mm
Housing Color	black
Weight	75 g

(*) Over the complete operating temperature range

Features



- Operating Voltage 3 V DC
- Laser Class 3B
- Image processing
- Compact size
- Glas lenses anti reflex coated

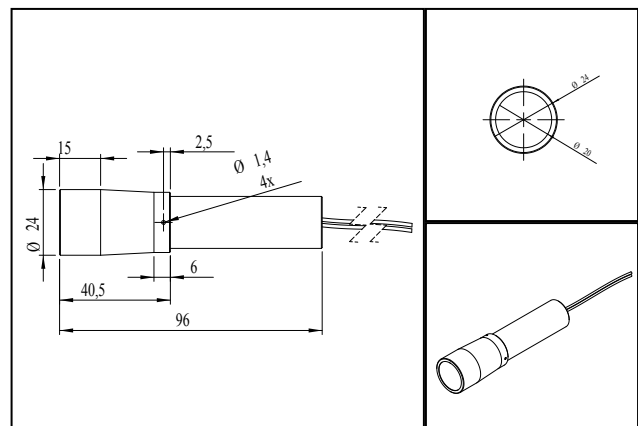
Picture



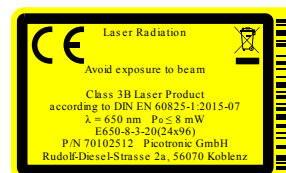
Cable color

Ground		black	GND
positive		red	2.7 - 3.3, typ 3 V DC

Drawing



Safety Label



Valid Revision

3 | 03-NOV-2010